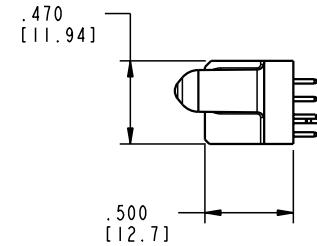
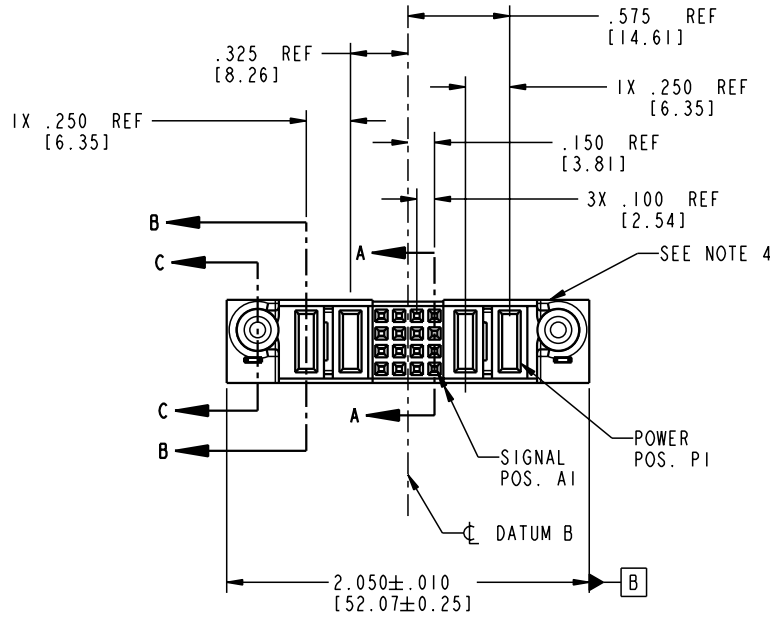


Tous droits strictement reserves. Reproduction ou communication a des tiers interdite sous quelque forme que ce soit sans autorisation écrite du propriétaire. Propriete de c FCI. Droits de reproduction FCI.

**FCI**

All rights strictly reserved. Reproduction or issue to third parties in any form whatever is not permitted without written authority from the proprietor. Property of FCI. Copyright FCI.

PRODUCT NO.	ROWS	POWER		SIG.				POWER		E1	
		E2	P4	P3	4	3	2	1	P2		P1
51740-10201602AA	D C B A		PA	PA	EEEE	EEEE	EEEE	EEEE	PA	PA	



CODE	DIM "M" MATING LENGTH	CONTACT TYPE
E	N/A [N/A]	SIGNAL
PA	.042 [1.07]	POWER
HA	N/A [N/A]	HOLD-DOWN

mat'l code				SEE NOTE 2	tolerances unless otherwise specified		CUSTOMER	<b>FCI</b> www.fciconnect.com												
ltr	ecr no.	dr	date	linear	.XX±.01/0.X±0.3		COPY													
A	V03-0194	MEM	2/18/03	angles	.XXX±.005/0.XX±0.13		projection													
					.XXX±.0020/0.XXX±0.051															
				dr	M. MOSTOLLER	2/18/03	INCH/MM													
				enrg	M. MOSTOLLER	2/18/03	scale													
				chr	H. BREWBAKER	2/18/03	1:1													
				appd	M. MOSTOLLER	2/18/03														
sheet index	revision	A	A	A	A															
	sheet	1	2	3	4															
<table border="1"> <tr> <td>product family</td> <td>PwrBlade</td> <td>code</td> <td>213</td> </tr> <tr> <td>size</td> <td>dwg no</td> <td>sheet</td> <td>1 of 4</td> </tr> <tr> <td>A</td> <td>51740-10201602AA</td> <td></td> <td></td> </tr> </table>								product family	PwrBlade	code	213	size	dwg no	sheet	1 of 4	A	51740-10201602AA			
product family	PwrBlade	code	213																	
size	dwg no	sheet	1 of 4																	
A	51740-10201602AA																			

Pro/E

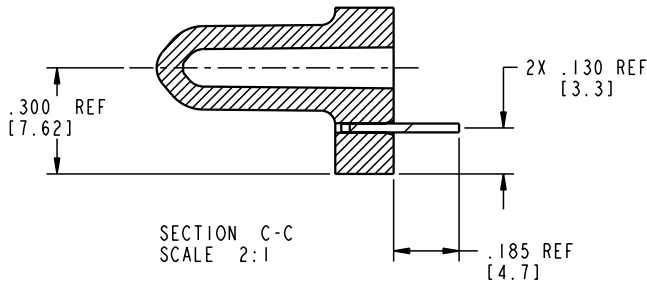
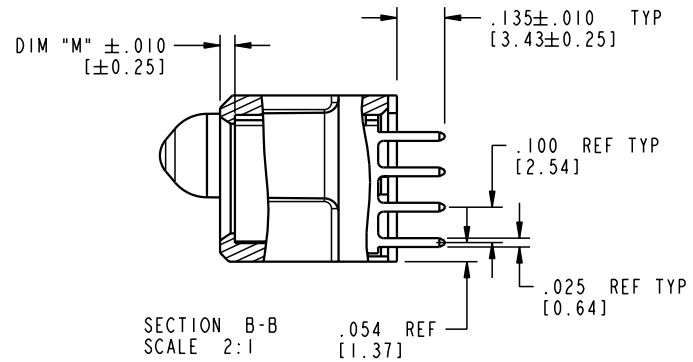
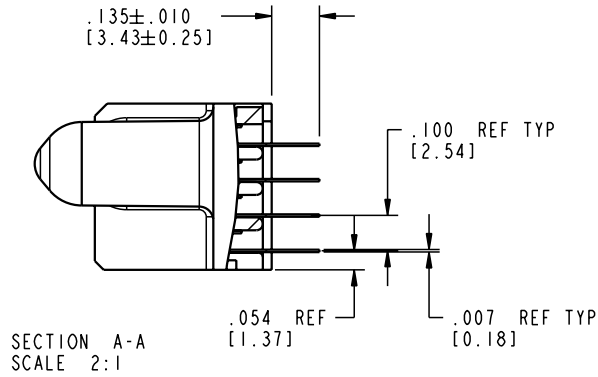
cage code 22526

Tous droits strictement reserves. Reproduction ou communication a des tiers interdite sous quelque forme que ce soit sans autorisation écrite du propriétaire. Propriete de c FCI. Droits de reproduction FCI.

**A**  
**FCI**

All rights strictly reserved. Reproduction or issue to third parties in any form whatever is not permitted without written authority from the proprietor. Property of FCI. Copyright FCI.

PRODUCT NUMBER  
**51740-10201602AA**



mat'l code		SEE NOTE 2		tolerances unless otherwise specified		CUSTOMER		<b>FCI</b> www.fciconnect.com	
ltr	ecm no.	dr	date	linear	.XX ± .01 / 0.XX ± 0.3	COPY		title	
A				linear	.XXX ± .005 / 0.XX ± 0.13	projection		2P + 16S + 2P	
				angles	.XXX ± .0020 / 0.XXX ± 0.051	INCH/MM		VERTICAL SOLDER RECEPT	
				dr	M. MOSTOLLER 2/18/03	scale		product family	
				enrg	M. MOSTOLLER 2/18/03	1:1		PwrBlade	
				chr	H. BREWBAKER 2/18/03			code	
				appd	M. MOSTOLLER 2/18/03			213	
sheet index		revision sheet				A		size	
								dwg no	
								51740-10201602AA	
								sheet	
								2 of 4	

Pro/E

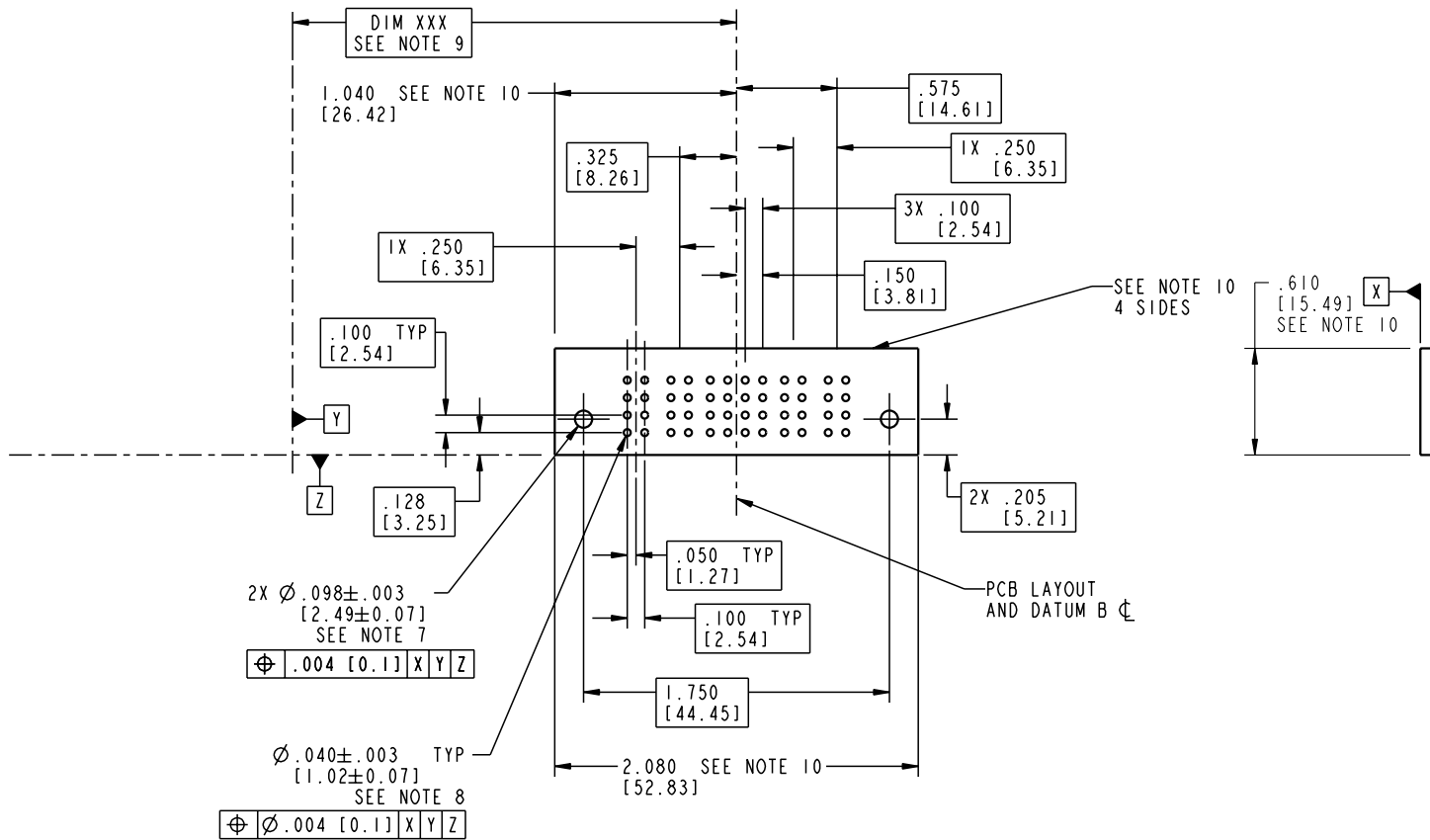
cage code **22526**

Tous droits strictement reserves. Reproduction ou communication a des tiers interdite sous quelque forme que ce soit sans autorisation écrite du propriétaire. Propriete de c FCI. Droits de reproduction FCI.

**FCI**

All rights strictly reserved. Reproduction or issue to third parties in any form whatever is not permitted without written authority from the proprietor. Property of FCI. Copyright FCI.

PRODUCT NUMBER  
51740-10201602AA



mat'l code		SEE NOTE 2		tolerances unless otherwise specified		CUSTOMER		 www.fciconnect.com	
ltr	ecm no.	dr	date	linear	$.XX \pm .01 / 0.X \pm 0.3$ $.XXX \pm .005 / 0.XX \pm 0.13$ $.XXX \pm .0020 / 0.XXX \pm 0.051$	COPY		title	
A				angles	$0 \pm 2^\circ$	projection			
				dr	M. MOSTOLLER 2/18/03	INCH/MM		product family	
				enrg	M. MOSTOLLER 2/18/03	scale		PwrBlade	
				chr	H. BREWBAKER 2/18/03	1:1		code	
				appd	M. MOSTOLLER 2/18/03			213	
sheet index		revision sheet						size	
								dwg no	
								A 51740-10201602AA	
								sheet	
								3 of 4	

Pro/E

cage code 22526

Tous droits strictement réservés. Reproduction ou communication à des tiers interdite sous quelque forme que ce soit sans autorisation écrite du propriétaire. Propriété de c FCI. Droits de reproduction FCI.

**A**  
**FCI**

All rights strictly reserved. Reproduction or issue to third parties in any form whatever is not permitted without written authority from the proprietor. Property of FCI. Copyright FCI.

**B**

1 | 2

3 |

4

PRODUCT NUMBER  
**51740-10201602AA**

NOTES:


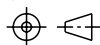
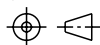
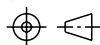
1. DIMENSIONS AND TOLERANCES ARE IN ACCORDANCE WITH ASME Y14.5M, 1994 UNLESS OTHERWISE SPECIFIED.

CONNECTOR NOTES:

- ② HOUSING MATERIAL: UL 94 V-0 GLASS FILLED  
HIGH-TEMP THERMOPLASTIC  
POWER CONTACT MATERIAL: COPPER ALLOY  
SIGNAL PIN MATERIAL: COPPER ALLOY
- 3. PLATING:  
SIGNAL PINS: 30u"/0.76um Au OVER 50u"/1.27um Ni  
POWER CONTACTS: 50u"/1.27um Ni UNDER ALL  
WITH 30u"/0.76um Au ON CONTACT AREA  
AND SnPb ON PCB INTERFACE
- ④ MANUFACTURER'S NAME, P/N, AND DATE CODE TO APPEAR ON THIS SURFACE.
- 5. PRODUCT SPECIFICATION GS-12-149.  
APPLICATION SPECIFICATION BUS-20-067.
- PCB NOTES:
- 6. ALL HOLE DIAMETERS ARE FINISHED HOLE SIZE.
- 7. MOUNTING HOLES, WHERE APPLICABLE, ARE UNPLATED.
- ⑧  $\varnothing .0453 \pm .0010$  [1.151  $\pm$  0.025] DRILLED HOLES PLATED WITH  
.0003 [0.008] MIN SnPb OVER .001 [0.03]  
TO .003 [0.08] Cu PLATING TO ACHIEVE  
 $\varnothing .040 \pm .003$  [1.02  $\pm$  .07] HOLE.
- ⑨ "DIM XXX" TO BE DETERMINED BY THE CUSTOMER.
- ⑩ CONNECTOR KEEP-OUT ZONE.

**A**

**B**

mat'l code		SEE NOTE 2		tolerances unless otherwise specified		CUSTOMER		 www.fciconnect.com	
ltr	ecm no.	dr	date	linear	projection	COPY			
A				$.XX \pm .01 / 0.X \pm 0.3$				2P + 16S + 2P VERTICAL SOLDER RECEPT	
				$.XXX \pm .005 / 0.XX \pm 0.13$				product family	
				$.XXX \pm .0020 / 0.XXX \pm 0.051$				PwrBlade	
				angles	$0 \pm \text{°}$	INCH/MM		code	
				dr	M. MOSTOLLER 2/18/03	scale		213	
				enrg	M. MOSTOLLER 2/18/03	1:1		sheet	
				chr	H. BREWBAKER 2/18/03			4 of 4	
				appd	M. MOSTOLLER 2/18/03			cage code	
sheet index	revision sheet							22526	

1 | 2

Pro/E

3 |

cage code 22526

4